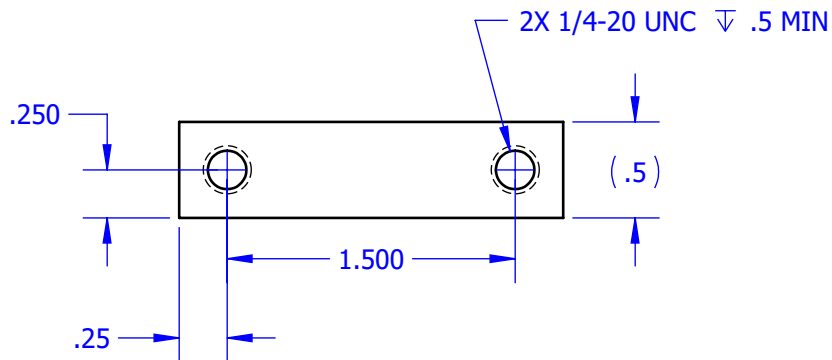
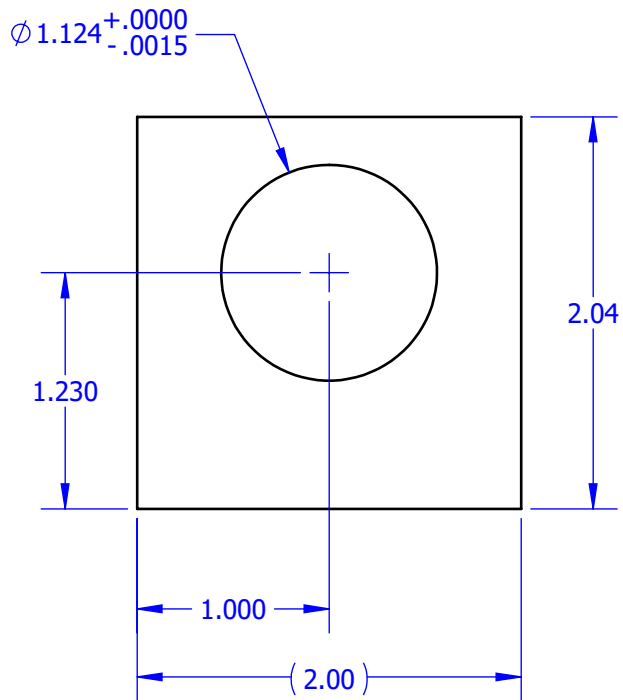


| REV. | DESCRIPTION | DATE |
|------|---------------------------------------|------------|
| A | INITIAL RELEASE | 9/27/2025 |
| B | UPDATE PER PRE DESIGN REVIEW FEEDBACK | 10/2/2025 |
| C | POST DESIGN REVIEW EDITS | 10/12/2025 |



| | | |
|------------------------------|---|-------------------------------|
| SPONSOR | MCEN 3025 | |
| PROJECT | TEAM ROCKET | |
| TEAM NUMBER | | FILE NAME PILLOW_BLOCK_1.3 |
| TOLERANCES UNLESS NOTED: | X.X ±0.030 X.XX ±0.010 X.XXX ±0.005 | APPROVAL |
| UNITS: INCHES | X.X° ±0.5° | |
| DRAWN BY JA | DRAWN DATE 10/2/25 | MFD BY |
| MATERIAL ALUMINUM | DESCRIPTION PILLOW BLOCK | |
| STOCK SIZE 1/2" x 2" x 4" | PN | REV C |
| | | |
| | | |
| | | SHEET 1 of 1 |

PROPRIETARY AND CONFIDENTIAL

THE INFORMATION CONTAINED IN THIS DRAWING IS THE SOLE PROPERTY OF THE DESIGN CENTER. ANY REPRODUCTION IN PART OR AS A WHOLE WITHOUT WRITTEN PERMISSION IS PROHIBITED.